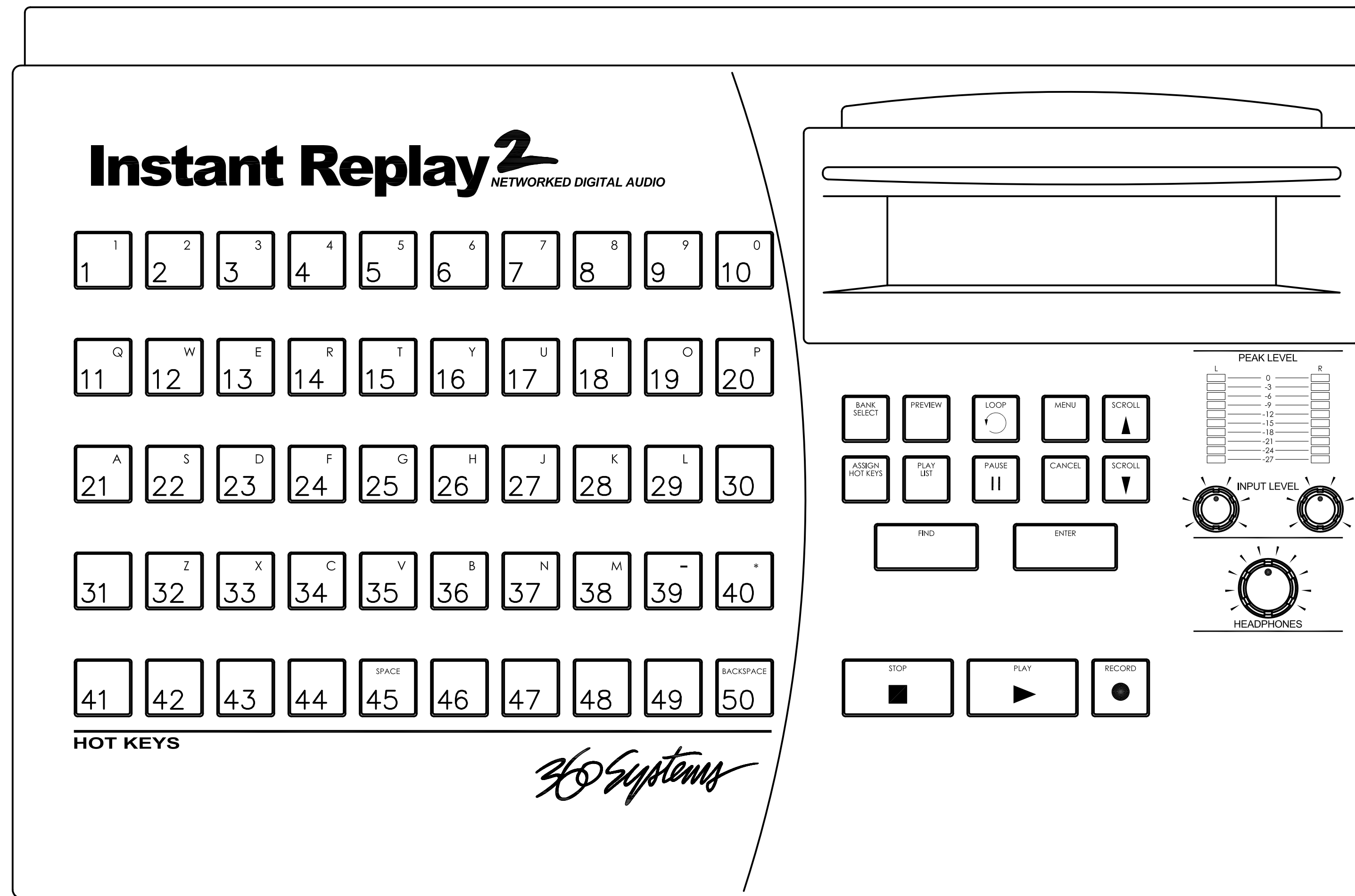
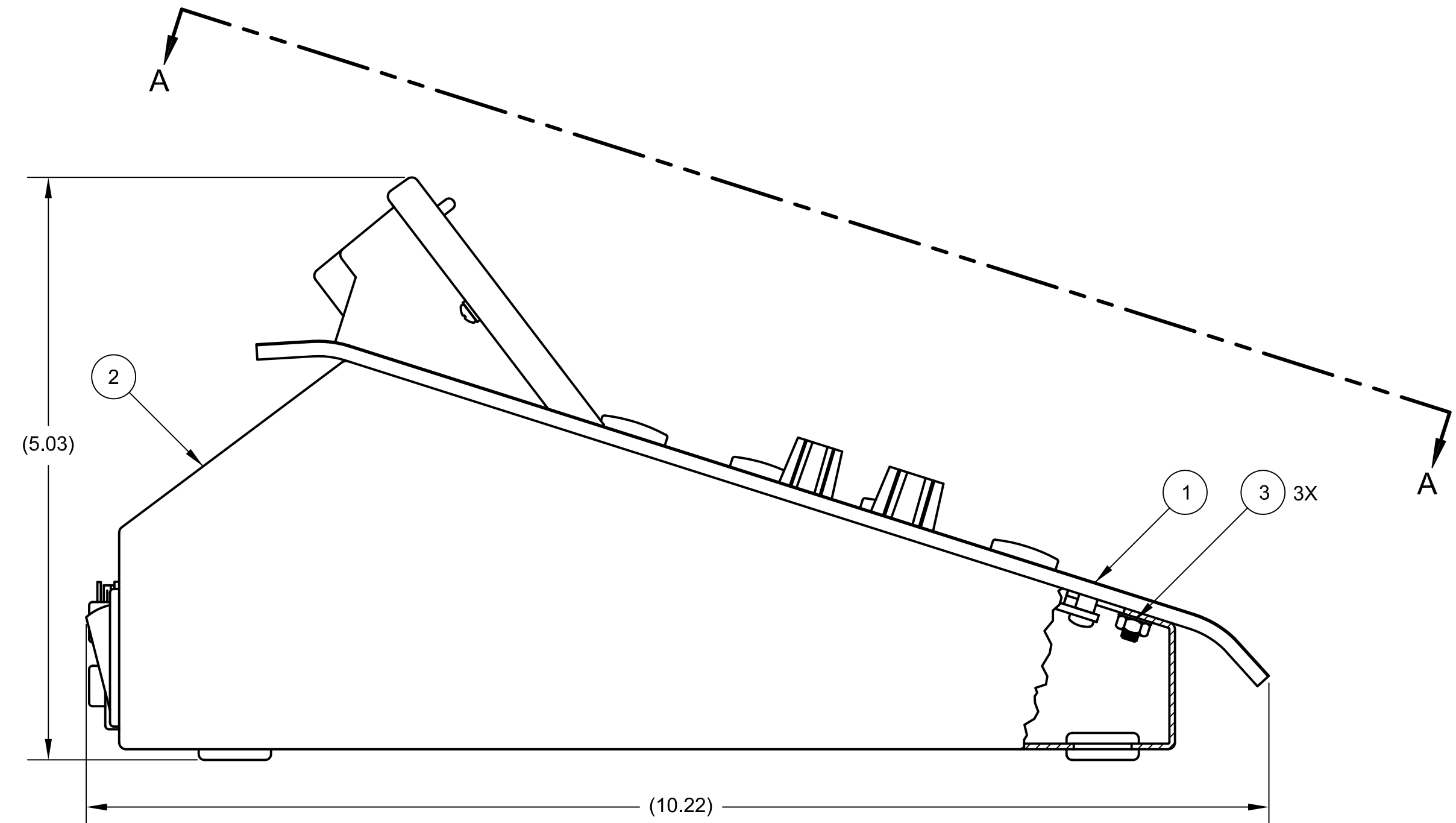
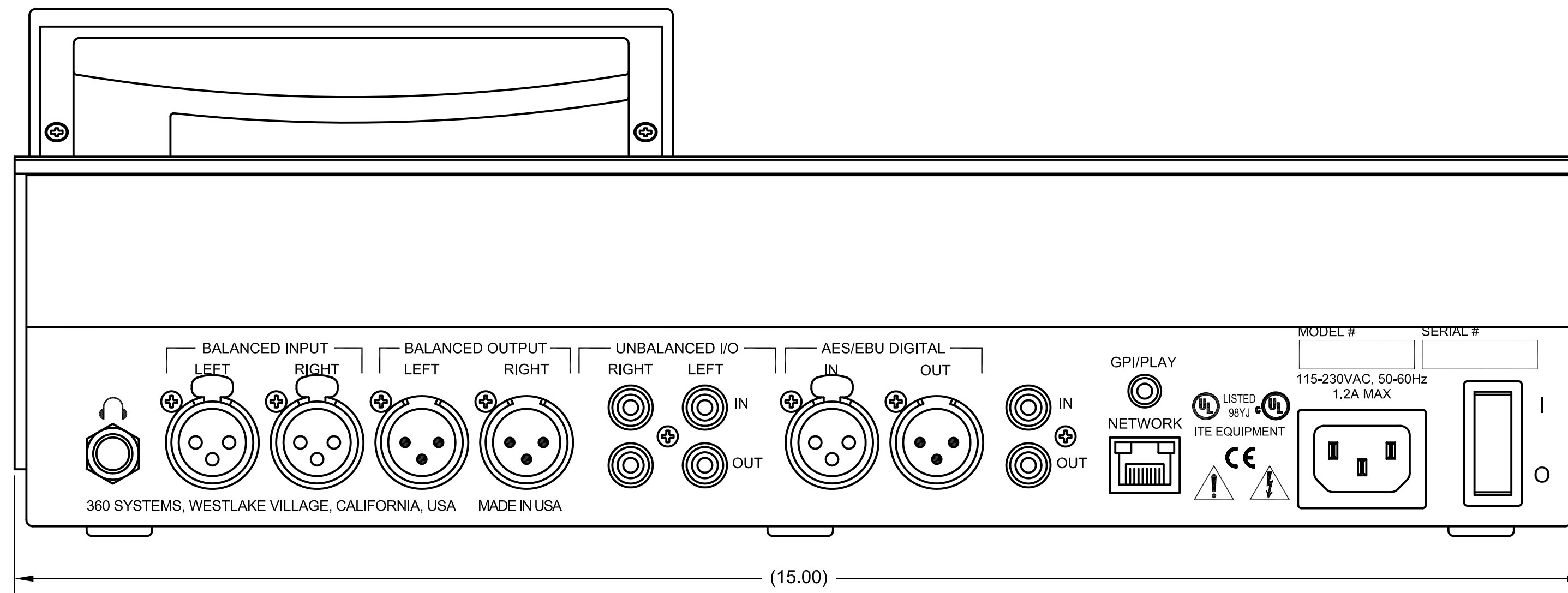


REVISIONS					
REV	ECO	DESCRIPTION	BY	APPR	DATE
02	336	INITIAL RELEASE FOR PRODUCTION	AD	AJ	08/08/08



VIEW A-A  
SCALE: 1:1



ITEM	QTY	PART NUMBER	DESCRIPTION	NOTE
3	3	100-111-0068	NUT, 6-32 KEPS	-
2	1	300-101-0029	CHASSIS, BOTTOM - ASSEMBLY	-
1	1	300-101-0028	PANEL, TOP - ASSEMBLY	-

DO NOT SCALE DRAWING		SCALE: 1:1	SHEET SIZE: D	APPROVALS	DATE	PROJECT: INSTANT REPLAY 2	
		TOLERANCES: .XX .XXX	ANGLES 2°	DRAWN: A. DIAZ	07/07/08	TITLE: INSTANT REPLAY 2 - FINAL ASSEMBLY	
		± .01 .005		CHECKED: A. DIAZ	07/07/08	DWG.NO. 700-111-0001	REV. 02
				APPR: A. JERMAGIAN	07/07/08	OLD DWG.NO. NONE	SHT 1 OF 1
NEXT ASSEMBLY				APPR: -	-		
MATERIAL: NOTED	FINISH: ---		NOTICE: THE DATA IN THIS DOCUMENT INCORPORATES THE PROPRIETARY RIGHTS OF 360 SYSTEMS. 31355 AGOURA ROAD, WESTLAKE VILLAGE, CA 91361, USA. PHONE (818) 991-0360 FAX (818) 991-1360		360 Systems		